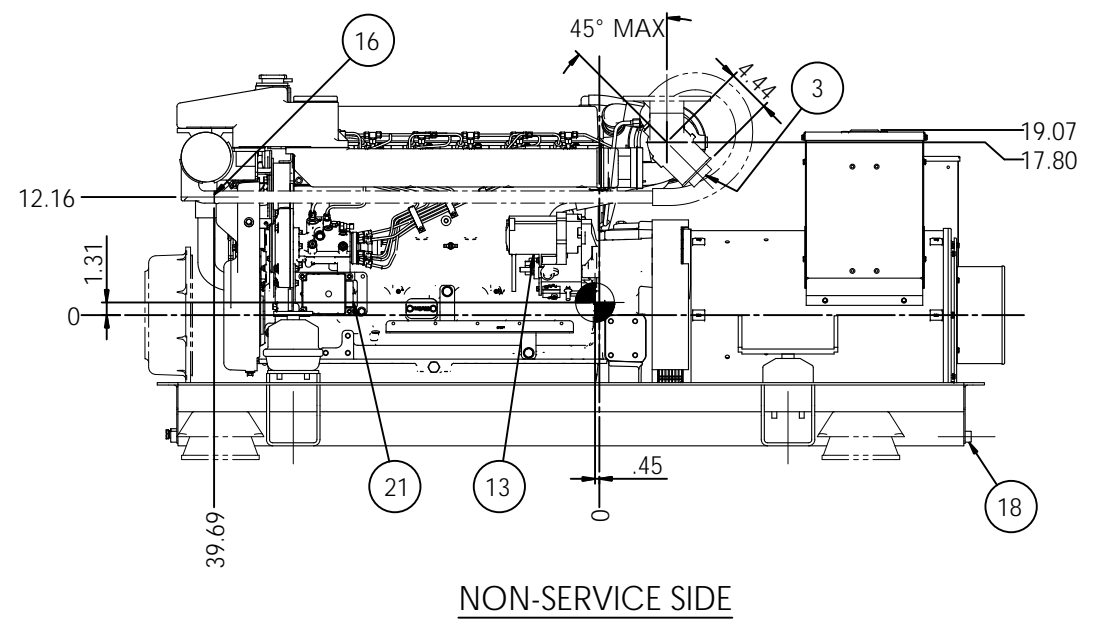
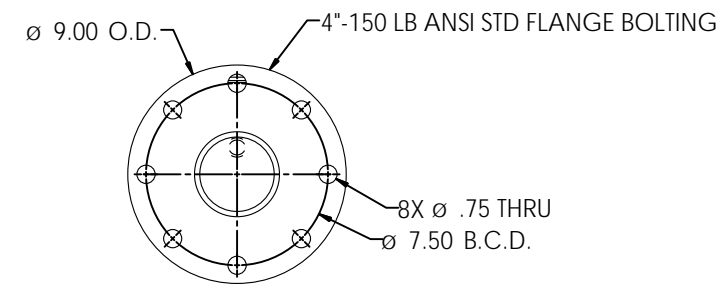
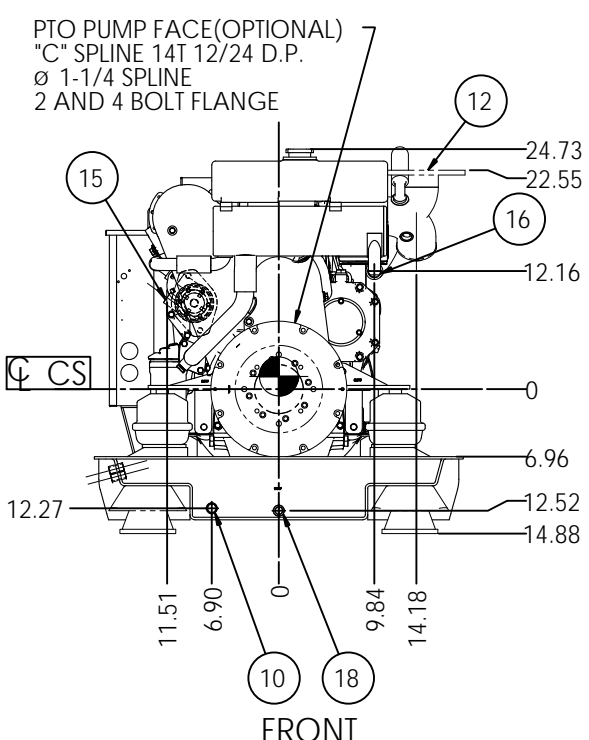


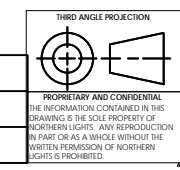
ITEM	DESCRIPTION	ITEM	DESCRIPTION
1	EXPANSION TANK	14	FUEL FILTER
2	COOLANT FILL	15	RAW WATER INLET - \varnothing 1.25" H.B.
3	OPTIONAL WET EXHAUST ELBOW \varnothing 4" H.B.	16	RAW WATER OUTLET - \varnothing 1.25" - DRY EXHAUST
4	D.C. JUNCTION BOX	17	HEAT EXCHANGER
5	FUEL SUPPLY - 3/8"NPT	18	BASE PAN DRAIN
6	FUEL RETURN - 3/8"NPT	19	OPTIONAL COMPOUND MOUNT
7	CRANKCASE OIL DIPSTICK	20	PMG
8	CRANKCASE OIL FILLER	21	ECU
9	CRANKCASE OIL FILTER		
10	ENGINE OIL DRAIN - 1/2"NPT		
11	AIR INLET FILTER		
12	OPTIONAL DRY EXHAUST ELBOW - SEE DETAIL		
13	ELECTRIC STARTER		

NOTE:
 1. EST. DRY WEIGHT (W/O PTO & COMPOUND MOUNTS): 2700 LBS.
 2. C.G. DOES NOT INCLUDE PTO AND COMPOUND MOUNTS.



OPTIONAL DRY EXHAUST ELBOW
SCALE 1:4

MODEL	DESCRIPTION
M1066T.11L	99kW@1800 RPM 3PH H.E.
M1066T.51L	80kW@1500 RPM 3 PH H.E.



UNLESS OTHERWISE SPECIFIED:
 DIMENSIONS ARE IN INCHES
 TOLERANCES:
 ANGULAR: MACH ± 0.5° BEND ± 1.0°
 X ± 0.1
 XX ± 0.03
 XXX ± 0.005

INTERPRET GEOMETRIC TOLERANCING PER: ASME Y14.5M

MATERIAL:
 FINISH:
 DO NOT SCALE

PROPRIETARY AND CONFIDENTIAL
 THE INFORMATION CONTAINED IN THIS DRAWING IS THE SOLE PROPERTY OF NORTHERN LIGHTS. ANY REPRODUCTION IN PART OR AS A WHOLE WITHOUT THE WRITTEN PERMISSION OF NORTHERN LIGHTS IS PROHIBITED.

NAME	DATE
DRAWN: MG	05/17/16
CHECKED: TAH	05/18/16
ENG APPR:	
MFG APPR:	
Q.A. COMMENTS:	

4420 14th AVE. N.W.
 Seattle, WA 98107
 (206) 789-3880
 www.northern-lights.com

NORTHERN LIGHTS

TITLE: **INSTALLATION DIMENSIONS**
 M1066TL 3 \varnothing H.E.

SIZE	PART NO.	DWG. NO.	REV
D		D-4925	

SCALE: 1:10 WEIGHT: LBS. SHEET 1 OF 1